



PROVEN FLEXIBILITY

7,000 – 15,500 LB. CAPACITY
INTERNAL COMBUSTION
CUSHION TIRE LIFT TRUCK



UNCOMPROMISING PERFORMANCE

Optimum Versatility

Powered by a rugged PSI 4X 4.3 liter V6 EPA compliant engine, the Cat® GC35K-GC70K series of cushion tire lift trucks is built to perform multiple jobs in a variety of applications. From off-loading trailers to moving goods in and out of racking, these highly-configurable and flexible lift trucks offer the robust performance and reliability your business demands, while featuring practical options and attachments to enhance this truck's agility.

ADVANTAGES TO YOU:

- 7,000 – 15,500 lb. lift capacities
- EPA/CARB compliant V6 engine offers excellent fuel economy and low noise / vibration levels
- Low profile counterweight design allows for a more compact turning radius
- Higher lift heights offer the flexibility to stack at the third level

KEY APPLICATIONS:

- Paper and allied products
- Primary and fabricated metals
- Lumber and building materials
- Manufacturing
- General warehouse and storage

GREATER RELIABILITY

Engine Protection System (EPS) – keeps the lift truck running at peak performance. Display-based indicators immediately notify the operator when vital fluids are low or engine maintenance is required, resulting in greater uptime while helping to prevent more costly maintenance needs later.

Premium LCD/LED Display – features additional overhead guard leg-mounted indicators to help keep the operator aware of real-time conditions of the truck. Indicators include low fuel, transmission oil level, interlock indicators, service indicators and more.





HIGHER PRODUCTIVITY. GREATER EFFICIENCY.

EFFICIENCY STARTS WITH THE OPERATOR

Increased operator comfort leads to more productivity. That's why we've styled the operator compartment on the GC35K series with spacious room, comfortable seating and optimized visibility. We've also included features that offer a smoother, less noisy ride and indicators that keep your operator tuned to the health of your lift truck.

Optimized Visibility – narrow mast channels and hoses mounted at 45 degrees offer forward visibility through the mast, while LED mast-mounted work lights and an open overhead guard design help the operator maintain sight of the load and the surroundings.

Adjustable, Full-Suspension Vinyl Seat – operators can choose their preferred level of lumbar support, amount of weight suspension and forward/backward adjustment to optimize their comfort and productivity. The seat is equipped with an orange seat belt to allow managers to easily see when operators are properly wearing their seat belt.

Less Noise And Vibration –

Minimizing noise and vibration levels will help keep the operator comfortable throughout the shift. Less vibration and noise is achieved through the use of:

- Rubber mounted components
- Fully-insulated engine hood
- Helical transmission gears
- Closed wheel wells



POWERFUL PERFORMANCE, EXCELLENT FUEL EFFICIENCY

With lift capacities of 7,000 - 15,500 lbs. and a powerfully efficient, V6 EPA-compliant engine, this Cat lift truck series delivers:

- Excellent fuel efficiency
- Reliable performance
- Low noise and vibration levels
- Controlled yet powerful acceleration
- Maximum productivity throughout the shift

CUSTOMIZE YOUR TRUCK TO MEET YOUR BUSINESS' DEMANDS

Special Application Options

The specialized paper handling chassis and option packages for the GC35K series will optimize the truck systems to suit the unique requirements of your application. They are packaged to maximize value and reduce the need for field modifications while improving productivity, increasing operator comfort and optimizing performance.

PRODUCT PROTECTION PACKAGE



This package consists of options designed to significantly reduce damage to paper rolls during handling.

- Four-position pressure regulator
- Forward tilt lockout
- Drop stop valve
- Flexible fenders

DUST AND FOUNDRY PACKAGE



Designed for dusty applications, this package includes strategically placed breathers and filters to help keep harmful abrasives out of the internal systems.

- Elevated air intake pre-cleaner
- Magnetic drain plugs
- Dust-proof front axle breather
- Dust-proof hydraulic pump
- Brake booster filter

REVERSE DRIVE PACKAGE



This package enhances operator comfort and improves productivity throughout the shift.

- Full suspension vinyl swivel seat
- Rear grab handle
- Adjustable armrest

PAPER APPLICATION PACKAGE



- Hydraulic lift line accumulator
- Load bearing clamp lockout
- Hydraulic flow control valve
- High pass through radiator
- Tandem transmission oil coolers
- Louvered radiator covers
- Carriage slider blocks
- Wrapped exhaust pipes
- Underbelly screen





Local service and support



Genuine OEM parts



Custom financing packages

MORE CONFIDENCE





Factory warranty for added protection



Local Support You Can Count On

A Cat lift truck purchase connects you to a variety of material handling solutions, including world-class service and support from your local, trusted dealer. With trained service technicians, a diverse parts inventory and a broad selection of service options, your local dealer can help you lower costs, enhance productivity and more efficiently manage your business.

FINANCING MADE SIMPLE

Financing your next Cat lift truck is easy with our wide range of flexible leasing and purchasing options. Whether you want to finance or lease, your local Cat lift truck dealer can help customize a package for your business.

WHEN EVERY PART COUNTS

When buying from your local Cat lift truck dealer, you can rest assured that your genuine OEM parts are manufactured to meet original equipment criteria. Additionally, all Cat lift trucks OEM parts come with a six-month, unlimited-hours warranty.

When speed is critical, our Parts Fast Or Parts Free Guarantee* ensures next-business-day delivery of all Cat lift trucks parts, or they're free, including freight. If your part doesn't come in by the next business day, we pay for it.

STANDING BEHIND OUR PRODUCTS

We deliver peace of mind by helping your lift trucks stay on the job. Every new Cat lift truck is covered by a 1-year / 2,000-hours warranty that includes parts and labor, as well as components and systems. With our standard 2-year / 4,000-hours extended powertrain warranty, you'll have the confidence that only comes from owning a Cat lift truck.

* At dealer's location.

† Programs may be subject to change without notice and may vary by region.
Please ask your local Cat lift truck dealer for complete terms and conditions.

10 Specifications

Characteristics				GC35K		GC40K		GC45K	
1	Capacity at rated load center	lb	kg	7,000	3,500	8,000	4,000	10,000	4,500
2	Capacity at load center - distance	in	mm	24	500	24	500	24	600
3	Power – LP gas			LP gas		LP gas		LP gas	
4	Tire type – cushion, pneumatic			cushion		cushion		cushion	
5	Wheels – (x=driven) number front / rear			2x / 2		2x / 2		2x / 2	
Dimensions				GC35K		GC40K		GC45K	
7	Maximum fork height (top of forks)*	in	mm	120	3,050	120	3,050	114	2,890
8	Free fork height*	in	mm	5.9	150	5.9	150	5.9	150
9	Forks – thickness x length x width	in		2.0 x 48.0 x 5.9		2.0 x 48.0 x 5.9		2.0 x 48.0 x 5.9	
		mm		50 x 1,220 x 150		50 x 1,220 x 150		50 x 1,220 x 150	
	Fork spacing – out-to-out minimum / maximum	in	mm	13.5 / 41.0	342 / 1,042	13.5 / 41.0	342 / 1,042	13.5 / 41.0	342 / 1,042
10	Tilt – forward / backward	degrees		5 / 10		5 / 10		5 / 10	
11	Length to fork face	in	mm	98.8	2,510	100.4	2,550	103	2,620
12	Width with standard tires	in	mm	46.5	1,180	46.5	1,180	46.5	1,180
	Width with standard tires, wide-stance	in	mm	50.0	1,270	50.0	1,270	50.0	1,270
13	Height with lowered mast	in	mm	83.5	2,120	83.5	2,120	83.5	2,120
14	Seat height	in	mm	47.2	1,200	47.2	1,200	47.2	1,200
15	Height to top of overhead guard	in	mm	86.8	2,205	86.8	2,205	86.8	2,205
16	Height with extended mast	in	mm	167.5	4,250	167.5	4,250	161	4,090
17	Minimum outside turning radius	in	mm	88.0	2,235	90.0	2,285	92.1	2,340
18	Load moment constant	in	mm	17.7	450	17.7	450	18.3	465
19	Minimum aisle – 90° stack – 0 clearance w/o load	in	mm	106	2,685	108	2,735	110	2,805
Performance				GC35K		GC40K		GC45K	
20	Travel speed loaded / empty	mph	km/h	11.8 / 12.1	19.0 / 19.5	11.8 / 12.1	19.0 / 19.5	11.5 / 12.1	18.5 / 19.5
21	Lift speed loaded / empty	fpm	m/s	106 / 112	0.54 / 0.57	106 / 112	0.54 / 0.57	76.8 / 82.7	0.39 / 0.42
22	Lowering speed loaded / empty	fpm	m/s	108 / 98.4	0.55 / 0.50	108 / 98.4	0.55 / 0.50	86.6 / 80.7	0.44 / 0.41
23	Drawbar pull – loaded at 1 mph (1.6 kph)	lb	N	5,350	23,780	5,350	23,780	5,350	23,780
	Drawbar pull – loaded maximum	lb	N	6,170	27,460	6,170	27,460	6,170	27,460
24	Gradeability – loaded at 1 mph (1.6 kph)	%		37.0		33.0		27.0	
	Gradeability – maximum loaded / empty	%		42.0		37.0		30.0	
Weight				GC35K		GC40K		GC45K	
25	Empty	lb	kg	11,550	5,240	12,280	5,570	14,260	6,470
26	Axle load – with rated load front / rear	lb	kg	16,340 / 2,210	7,710 / 1,030	18,180 / 2,100	8,580 / 990	20,925 / 3,335	9,495 / 1,475
	Axle load – without load front / rear	lb	kg	4,620 / 6,930	2,100 / 3,140	4,775 / 7,505	2,165 / 3,405	4,320 / 9,940	1,960 / 4,510
Chassis				GC35K		GC40K		GC45K	
27	Tire size – front, standard	in		22 x 9 x 16		22 x 9 x 16		22 x 9 x 16	
28	Tire size – rear	in		18 x 7 x 12.1		18 x 7 x 12.1		18 x 7 x 12.1	
29	Wheel base	in	mm	62.0	1,575	62.0	1,575	62.0	1,575
30	Tread width – front, standard tires	in	mm	37.0	940	37.0	940	37.0	940
	Tread width – front, wide-stance tires	in	mm	40.9	1,040	40.9	1,040	40.9	1,040
31	Tread width – rear standard tires	in	mm	38.6	980	38.6	980	38.6	980
32	Ground clearance – at lowest point of mast**	in	mm	3.9	100	3.9	100	3.9	100
33	Ground clearance – at center of wheel base	in	mm	5.9	150	5.9	150	5.9	150
34	Service brakes	type		hydraulic with hydraulic boost		hydraulic with hydraulic boost		hydraulic with hydraulic boost	
35	Parking brakes	type		hand, mechanical		hand, mechanical		hand, mechanical	
Powertrain				GC35K		GC40K		GC45K	
36	Engine manufacturer and model			PSI 4X		PSI 4X		PSI 4X	
37	Continuous output (S.A.E. gross)	HP	kW	104.6	78.0	104.6	78.0	104.6	78.0
		at rpm		2,600		2,600		2,600	
38	Maximum torque (S.A.E. gross)	lb-ft	N-m	210	285	210	285	210	285
		at rpm		1,000		1,000		1,000	
39	Cylinder / displacement	cu in	L	6 / 262	6 / 4.3	6 / 262	6 / 4.3	6 / 262	6 / 4.3
40	Transmission type			powershift		powershift		powershift	
41	Number of speeds forward / reverse			1 / 1		1 / 1		1 / 1	
42	Battery	volts		12		12		12	
43	Relief pressure for attachments – 3-way valve	psi	bar	2,900	200	2,900	200	2,900	200
	Relief pressure for attachments – 4-way valve	psi	bar	2,350	162	2,350	162	2,350	162
44	Noise level mean value at operator's ear	dB(A)		83.5		83.5		83.5	

NOTE: These specifications assume the use of drive axles, tires and tilt angles specified. Any modification to specifications, or any other combination of specifications made after the shipment of the truck, requires prior written approval from Mitsubishi Logisnext Americas Inc. (See ANSI/ITSDF B56.1.) Also be advised that overall operating visibility may be affected by the mast configuration and mast options of your truck. Therefore, you may need to add ancillary [auxiliary] devices or modify your operating practices. Consult your dealer for further information.

GC55K			GC60K			GC70K		
1	lb	kg	12,000	5,500	13,500	6,000	15,500	7,000
2	in	mm	24	600	24	600	24	600
3			LP gas		LP gas		LP gas	
4			cushion		cushion		cushion	
5			2x / 2		2x / 2		2x / 2	
GC55K			GC60K			GC70K		
7	in	mm	114	2,900	93.0	2,370	93.0	2,370
8	in	mm	6.3	160	6.5	165	6.5	165
9	in		2.0 x 48.0 x 5.9		2.6 x 48.0 x 5.9		2.6 x 48.0 x 5.9	
	mm		60 x 1,220 x 150		65 x 1,220 x 150		65 x 1,220 x 150	
	in	mm	13.5 / 41.0	342 / 1,042	16.3 / 47.8	414 / 1,214	16.3 / 47.8	414 / 1,214
10	degrees		5 / 10		6 / 9		6 / 9	
11	in	mm	115	2,910	116	2,950	116	2,950
12	in	mm	52.0	1,320	-	-	-	-
	in	mm	55.9	1,420	56.7	1,440	56.7	1,440
13	in	mm	83.5	2,120	84.5	2,150	84.5	2,150
14	in	mm	47.2	1,200	50.6	1,285	50.6	1,285
15	in	mm	86.8	2,205	88.8	2,255	88.8	2,255
16	in	mm	162.5	4,130	141.5	3,590	141.5	3,590
17	in	mm	100	2,550	101	2,570	101	2,570
18	in	mm	18.9	480	20.9	530	20.9	530
19	in	mm	119	3,030	122	3,100	122	3,100
GC55K			GC60K			GC70K		
20	mph	km/h	11.2 / 12.1	18.0 / 19.5	13.0 / 14.3	21.0 / 23.0	12.7 / 14.3	20.5 / 23.0
21	fpm	m/s	76.8 / 82.7	0.39 / 0.42	70.9 / 76.8	0.36 / 0.39	70.9 / 76.8	0.36 / 0.39
22	fpm	m/s	86.6 / 80.7	0.44 / 0.41	106 / 76.8	0.54 / 0.39	106 / 76.8	0.54 / 0.39
23	lb	N	5,350	23,780	6,670	29,665	6,670	29,665
	lb	N	6,120	27,210	8,210	36,530	8,210	36,530
24		%	22.5		24.5		21.5	
		%	26.0		30.0		27.0	
GC55K			GC60K			GC70K		
25	lb	kg	15,850	7,190	19,310	8,760	20,900	9,480
26	lb	kg	24,820 / 3,030	11,260 / 1,430	29,000 / 3,810	12,920 / 1,840	32,920 / 4,480	14,480 / 2,000
	lb	kg	5,335 / 10,515	2,420 / 4,770	7,100 / 12,210	3,220 / 5,540	6,990 / 13,910	3,170 / 6,310
GC55K			GC60K			GC70K		
27	in		22 x 12 x 16		28 x 12 x 22		28 x 12 x 22	
28	in		18 x 8 x 12.1		22 x 8 x 16		22 x 8 x 16	
29	in	mm	70.1	1,780	72.0	1,830	72.0	1,830
30	in	mm	40.0	1,015	-	-	-	-
	in	mm	44.1	1,120	44.5	1,130	44.5	1,130
31	in	mm	38.0	965	45.7	1,160	45.7	1,160
32	in	mm	3.9	100	3.9	100	3.9	100
33	in	mm	5.9	150	7.9	200	7.9	200
34	type		hydraulic with hydraulic boost		hydraulic with hydraulic boost		hydraulic with hydraulic boost	
35	type		hand, mechanical		hand, mechanical		hand, mechanical	
GC55K			GC60K			GC70K		
36			PSI 4X		PSI 4X		PSI 4X	
	HP	kW	104.6	78.0	104.6	78.0	104.6	78.0
37	at rpm		2,600		2,600		2,600	
38	lb-ft	N-m	210	285	210	285	210	285
	at rpm		1,000		1,000		1,000	
39	cu in	L	6 / 262	6 / 4.3	6 / 262	6 / 4.3	6 / 262	6 / 4.3
40			powershift		powershift		powershift	
41			1 / 1		2 / 2		2 / 2	
42	volts		12		12		12	
43	psi	bar	2,900	200	2,900	200	2,900	200
	psi	bar	2,350	162	2,350	162	2,350	162
44	dB(A)		83.5		83.5		83.5	

*Lift with standard two-stage mast

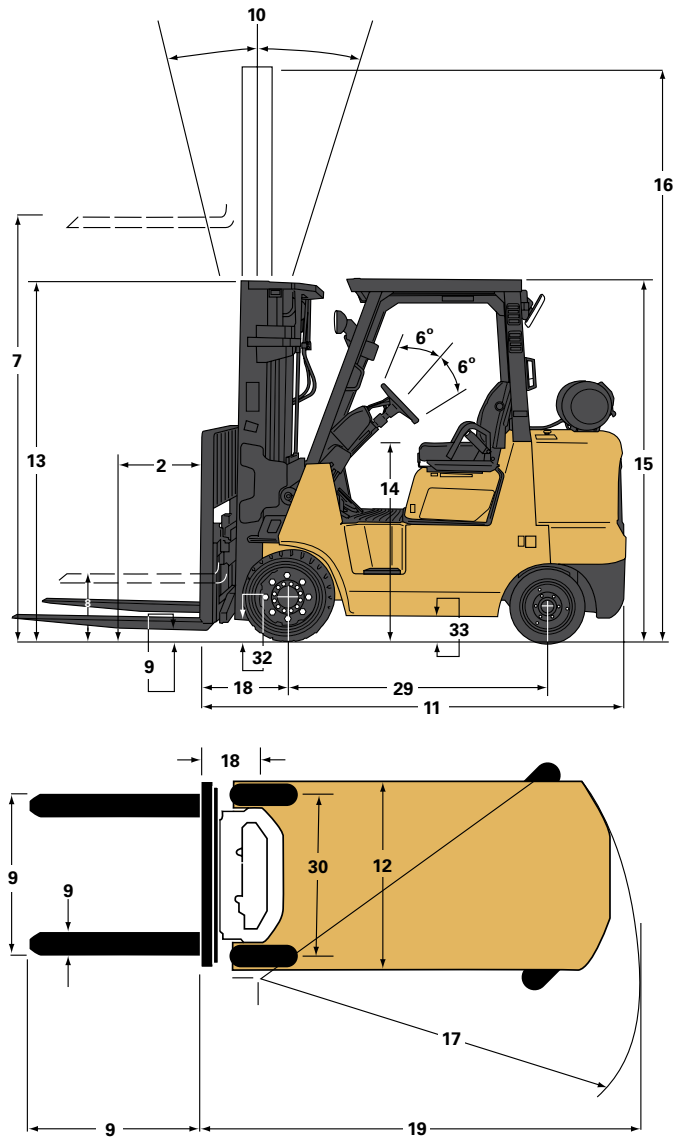
**This varies depending upon the model selection and the tire type.

Specifications (Short Turning Radius models)

Characteristics			GC40K (STR option)		GC45K (STR option)		GC55K (STR option)		GC70K (STR option)	
1	Capacity at rated load center	lb kg	8,000	4,000	10,000	4,500	12,000	5,500	15,500	7,000
2	Capacity at load center - distance	in mm	24	500	24	600	24	600	24	600
3	Power – LP gas		LP gas		LP gas		LP gas		LP gas	
4	Tire type – cushion, pneumatic		cushion		cushion		cushion		cushion	
5	Wheels – (x=driven) number front / rear		2x / 2		2x / 2		2x / 2		2x / 2	
Dimensions			GC40K (STR option)		GC45K (STR option)		GC55K (STR option)		GC70K (STR option)	
7	Maximum fork height (top of forks)*	in mm	120	3,050	114	2,890	114	2,900	93.0	2,370
8	Free fork height*	in mm	5.9	150	5.9	150	6.3	160	6.5	165
9	Forks – thickness x length x width	in	2.0 x 48.0 x 5.9		2.0 x 48.0 x 5.9		2.0 x 48.0 x 5.9		2.6 x 48.0 x 5.9	
		mm	50 x 1,220 x 150		50 x 1,220 x 150		60 x 1,220 x 150		65 x 1,220 x 150	
	Fork spacing – out-to-out minimum / maximum	in mm	13.5 / 41.0	342 / 1,042	13.5 / 41.0	342 / 1,042	13.5 / 41.0	342 / 1,042	16.3 / 478	414 / 1,214
10	Tilt – forward / backward	degrees	5 / 10		5 / 10		5 / 10		6 / 9	
11	Length to fork face	in mm	94.9	2,410	98.2	2,495	105	2,655	107	2,730
12	Width with standard tires	in mm	46.5	1,180	46.5	1,180	52.0	1,320	–	–
	Width with standard tires, wide-stance	in mm	50.0	1,270	50.0	1,270	55.9	1,420	56.7	1,440
13	Height with lowered mast	in mm	83.5	2,120	83.5	2,120	83.5	2,120	84.5	2,150
14	Seat height	in mm	47.2	1,200	47.2	1,200	47.2	1,200	50.6	1,285
15	Height to top of overhead guard	in mm	86.8	2,205	86.8	2,205	86.8	2,205	88.8	2,255
16	Height with extended mast	in mm	167.5	4,250	161	4,090	162.5	4,130	141.5	3,590
17	Minimum outside turning radius	in mm	82.3	2,090	88.0	2,235	92.5	2,350	97.2	2,470
18	Load moment constant	in mm	17.7	450	18.3	465	18.9	480	20.9	530
19	Minimum aisle – 90° stack – 0 clearance w/o load	in mm	100	2,540	106	2,700	111	2,830	118	3,000
Performance			GC40K (STR option)		GC45K (STR option)		GC55K (STR option)		GC70K (STR option)	
20	Travel speed loaded / empty	mph km/h	11.8 / 12.1	19.0 / 19.5	11.5 / 12.1	18.5 / 19.5	11.2 / 12.1	18.0 / 19.5	12.7 / 14.0	20.5 / 22.5
21	Lift speed loaded / empty	fpm m/s	106 / 112	0.54 / 0.57	76.8 / 82.7	0.39 / 0.42	76.8 / 82.7	0.39 / 0.42	70.9 / 76.8	0.36 / 0.39
22	Lowering speed loaded / empty	fpm m/s	108 / 98.4	0.55 / 0.50	86.6 / 80.7	0.44 / 0.41	86.6 / 80.7	0.44 / 0.41	106 / 76.8	0.54 / 0.39
23	Drawbar pull – loaded at 1 mph (1.6 kph)	lb N	5,350	23,780	5,350	23,780	5,350	23,780	6,670	29,665
	Drawbar pull – loaded maximum	lb N	6,170	27,460	6,170	27,460	6,120	27,210	8,210	36,530
24	Gradeability – loaded at 1 mph (1.6 kph)	%	32.0		27.0		22.0		20.5	
	Gradeability – maximum loaded / empty	%	36.0		30.0		25.0		26.0	
Weight			GC40K (STR option)		GC45K (STR option)		GC55K (STR option)		GC70K (STR option)	
25	Empty	lb kg	12,470	5,655	14,350	6,510	16,640	7,550	21,870	9,920
26	Axle load – with rated load front / rear	lb kg	18,210 / 2,260	8,630 / 1,025	21,270 / 3,080	9,650 / 1,360	25,435 / 3,205	11,540 / 1,510	32,560 / 4,810	14,770 / 2,150
	Axle load – without load front / rear	lb kg	4,830 / 7,640	2,190 / 3,465	4,595 / 9,755	2,085 / 4,425	5,960 / 10,680	2,705 / 4,845	7,790 / 14,080	3,535 / 6,385
Chassis			GC40K (STR option)		GC45K (STR option)		GC55K (STR option)		GC70K (STR option)	
27	Tire size – front, standard	in	22 x 9 x 16		22 x 9 x 16		22 x 12 x 16		28 x 12 x 22	
28	Tire size – rear	in	18 x 7 x 12.1		18 x 7 x 12.1		18 x 8 x 12.1		22 x 8 x 16	
29	Wheel base	in mm	62.0	1,575	62.0	1,575	70.1	1,780	72.0	1,830
30	Tread width – front, standard tires	in mm	37.0	940	37.0	940	40.0	1,015	–	–
	Tread width – front, wide-stance tires	in mm	40.9	1,040	40.9	1,040	44.1	1,120	44.5	1,130
31	Tread width – rear standard tires	in mm	38.6	980	38.6	980	38.0	965	45.7	1,160
32	Ground clearance – at lowest point of mast**	in mm	3.9	100	3.9	100	3.9	100	3.9	100
33	Ground clearance – at center of wheel base	in mm	5.9	150	5.9	150	5.9	150	7.9	200
34	Service brakes	type	hydraulic with hydraulic boost		hydraulic with hydraulic boost		hydraulic with hydraulic boost		hydraulic with hydraulic boost	
35	Parking brakes	type	hand, mechanical		hand, mechanical		hand, mechanical		hand, mechanical	
Powertrain			GC40K (STR option)		GC45K (STR option)		GC55K (STR option)		GC70K (STR option)	
36	Engine manufacturer and model		PSI 4X		PSI 4X		PSI 4X		PSI 4X	
37	Continuous output (S.A.E. gross)	HP kW	104.6	78.0	104.6	78.0	104.6	78.0	104.6	78.0
		at rpm	2,600		2,600		2,600		2,600	
38	Maximum torque (S.A.E. gross)	lb-ft N-m	210	285	210	285	210	285	210	285
		at rpm	1,000		1,000		1,000		1,000	
39	Cylinder / displacement	cu in L	6 / 262	6 / 4.3	6 / 262	6 / 4.3	6 / 262	6 / 4.3	6 / 262	6 / 4.3
40	Transmission type		powershift		powershift		powershift		powershift	
41	Number of speeds forward / reverse		1 / 1		1 / 1		1 / 1		2 / 2	
42	Battery	volts	12		12		12		12	
43	Relief pressure for attachments – 3-way valve	psi bar	2,900	200	2,900	200	2,900	200	2,900	200
	Relief pressure for attachments – 4-way valve	psi bar	2,350	162	2,350	162	2,350	162	2,350	162
44	Noise level mean value at operator's ear	dB(A)	83.5		83.5		83.5		83.5	

NOTE: These specifications assume the use of drive axles, tires and tilt angles specified. Any modification to specifications, or any other combination of specifications made after the shipment of the truck, requires prior written approval from Mitsubishi Logisnext Americas Inc. (See ANSI/ITSDF B56.1.) Also be advised that overall operating visibility may be affected by the mast configuration and mast options of your truck. Therefore, you may need to add ancillary [auxiliary] devices or modify your operating practices. Consult your dealer for further information.

Call-out numbers shown in the diagram correspond to the first column of the specifications chart.



Safety Standards

These trucks meet American National Standards Institute/Industrial Truck Standards Development Foundation, ANSI/ITSDF B56.1.

UL-Classified by Underwriters Laboratories, Inc., as to fire and electric shock hazard only. Availability: Types G, LP and D standard.

Types GS, LPS and DS optional. Users should be aware of, and adhere to, applicable codes and regulations regarding operator training, use, operation, and maintenance of powered industrial trucks, including:

- ANSI/ITSDF B56.1.
- NFPA 505, fire safety standard for powered industrial trucks — type designations, areas of use, maintenance and operation.
- Occupational Safety and Health Administration (OSHA) regulations that may apply.

Contact your Cat lift truck dealer for further information, including operator training programs and auxiliary visual and audible warning systems, fire extinguishers, etc., as available for specific user applications and requirements. Specifications, equipment, technical data, photos and illustrations based on information at time of printing and subject to change without notice. Some products may be shown with optional equipment.

*Lift with standard two-stage mast

**This varies depending upon the model selection and the tire type.

14 MANEUVERABILITY COUNTS

Short Turning Radius Option

A forklift's turning radius is vital information for an operator to determine how much space is needed to turn the forklift around. The GC35K-GC70K series offers an optional short turning radius which allows compact trucks to make optimal use of the space available for your operation.

WHAT'S THE BENEFIT?

- Compact design helps operators move materials at maximum efficiency
- Enhances the forklift's maneuverability, allowing it to work in more congested and restricted areas
- Efficiently works on the dock for loading/unloading trailers and containers, in bulk storage, drive-in rack, push-back rack and anywhere that loads need to be moved quickly and efficiently







Your Cat lift truck dealer can provide additional options and features to specialize your lift truck for your unique application. Operator training and custom financing programs are also available to help find the right fit for your business.

Helping move businesses forward – that's how we're built.

1-800-CAT-LIFT | www.logisnextamericas.com/cat

© 2023 Mitsubishi Logisnext Americas Inc. CAT, CATERPILLAR, LET'S DO THE WORK, their respective logos, "Caterpillar Yellow," the "Power Edge," and Cat "Modern Hex" trade dress as well as corporate and product identity used herein, are trademarks of Caterpillar Inc., and may not be used without permission. All registered trademarks are the property of their respective owners.

Some products may be shown with optional equipment.

CECT0300-01

09/23

